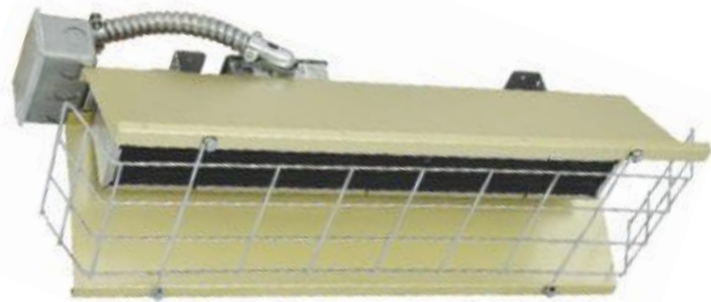


**General Characteristics of Industrial Infrared Heater FSS-14 Series**

Housing is ETL-CETL listed for indoor, dry environment applications only. High-Density medium wave radiant heat, with 60° symmetric heat pattern, reference the sizing chart to determine overall coverage based on the mounting height.  
 Approximately 78.5% efficient vs 50% efficiency of metal sheath elements. More uniform heat pattern than metal sheath.  
 Rugged flat panel emitter, great for high vibration areas.  
 .040 Gold anodized aluminum housing for efficient, long term reflectivity & corrosion resistant.  
 Heavy duty flat panel emitter. Available wattages in 1450, 3150, 4300 and 9500 Watts per element.  
 Available in standard voltages from 120 to 600 Volts.  
 Single or three phase wiring on select models.  
 "L" brackets included for chain suspension, or rigid mounting.  
 Field wiring box mounted on each heater.  
 Heavy duty wire guard factory installed.  
 25,000 hour element life expectancy.  
 Flat panel emitter heaters are not manufactured with any control device on the unit. All controls and accessories should be specified as remote mounted.  
 Accessories: All contactor panels quoted separately.  
 Shipped fully assembled.  
 Made in U.S.A.



**Product Applications of Industrial Infrared Heater FSS-14 Series**

Overhead Infrared Heaters for Snow & Ice Control, Outdoor Spot Heating & All Indoor Heating Applications.

**Warranty Industrial of Infrared Heater FSS-14 Series**

Manufacturer's Warranty: 1 year.

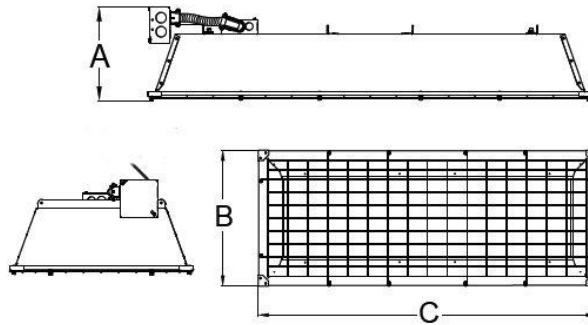
**Specific Characteristics of Industrial Infrared Heater FSS-14 Series**

Item #	Manufacturing #	Watts W	BTU'S	Volts V	Phases Ph	Amperes A	Reflector Pattern	Color	# of Quartz Lamps Included	Weight and Dimension with Packaging	
										Lbs.	L,W,H In
<b>USLTO-001</b>	FSS-1412-1	1450	4947	120	1	12.1	60° Symmetrical	Aluminum	1	8	28,11,10
<b>USLTO-002</b>	FSS-1420-1	1450	4947	208	1	6.97	60° Symmetrical	Aluminum	1	8	28,11,10
<b>USLTO-003</b>	FSS-1424-1	1450	4947	240	1	6.04	60° Symmetrical	Aluminum	1	8	28,11,10
<b>USLTO-004</b>	FSS-1427-1	1450	4947	277	1	5.23	60° Symmetrical	Aluminum	1	8	28,11,10
<b>USLTO-005</b>	FSS-1448-1	1450	4947	480	1	3.02	60° Symmetrical	Aluminum	1	8	28,11,10
<b>USLTO-006</b>	FSS-1457-1	1450	4947	600	1	2.52	60° Symmetrical	Aluminum	1	8	28,11,10



**Dimensions (in) of Industrial Infrared Heater FSS-14 Series**

Series	Length C	Width B	Height A
USLTO-001 to 006	26	9	8-1/2



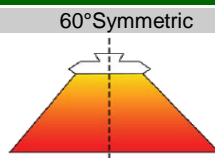
**Mounting Clearances and Mounting Height of Industrial Infrared Heater FSS-14 Series**

All USLTO models	Mounting Clearances	KW	Recommended Mounting Height
	24" from ceiling	1.4	8' – 10'
36" from vertical surface & from another heater	3.1	8' – 12'	
72" from face of heater to combustible surface	4.3	10' – 14'	
	9.5	12' – 16'	

**Sizing Table of Industrial Infrared Heater FSS-14 Series**

Mounting Height	VentDepot Item #	Length	Width	Coverage (SQ. FT.)	Watts (SQ. FT.)
8'	USLTO-001 to 006	8	8	64	22.7
10'	USLTO-001 to 006	11	10	110	13.2
12'	USLTO-001 to 006	-	-	-	-
14'	USLTO-001 to 006	-	-	-	-
16'	USLTO-001 to 006	-	-	-	-

**Reflector Patterns of Industrial Infrared Heater FSS-14 Series**



**Short Description of Industrial Infrared Heater FSS-14 Series**

Item #	Manufacturing #	Short Description 70 Characters Maximum
		1234567890123456789012345678901234567890123456789012345678901234567890

**USLTO-001**      FSS-1412-1      1450w, 4947BTUs, 120V, 1Ph, 12.1A, 60° Symmetrical. 1 Quartz Lamp.



**SEO Table of Industrial Infrared Heater FSS-14 Series**

**Title**

Industrial Electric Infrared Aluminum 1 Lamp TPI Heater FSS-14 Series.

**Meta Description**

Industrial Electric Infrared Aluminum 1 Lamp TPI Heater FSS-14 Series for Commercial Use, Industrial Electric Infrared Aluminum 1 Lamp TPI Heater FSS-14 Series for Industrial Use, Industrial Electric Infrared Aluminum 1 Lamp TPI Heater FSS-14 Series for indoor Use, Industrial Electric Infrared Aluminum 1 Lamp TPI Heater FSS-14 Series for spot heating, Industrial Electric Infrared Aluminum 1 Lamp TPI Heater FSS-14 Series for zone heating, Industrial Electric Infrared Aluminum 1 Lamp TPI Heater FSS-14 Series for total area heating.

**Meta Key Words**

Industrial Electric Infrared Aluminum 1 Lamp TPI Heater FSS-14 Series for Commercial Use, Industrial Electric Infrared Aluminum 1 Lamp TPI Heater FSS-14 Series for Industrial Use, Industrial Electric Infrared Aluminum 1 Lamp TPI Heater FSS-14 Series for indoor Use, Industrial Electric Infrared Aluminum 1 Lamp TPI Heater FSS-14 Series for spot heating, Industrial Electric Infrared Aluminum 1 Lamp TPI Heater FSS-14 Series for zone heating, Industrial Electric Infrared Aluminum 1 Lamp TPI Heater FSS-14 Series for total area heating.

**Meta URL (file name)**

industrial-electric-infrared-tpi-heater-1-lamp-fss-14-series-us-english.htm

**Product Line Description of Industrial Infrared Heater FSS-14 Series**

```
<FONT Size=1>
<b>Product Description:</b> Electric Infrared 1 Lamp TPI Heater<br>
<b>Weather Rating:</b> Indoor<br>
<b>Watts:</b> 1450W<br>
<b>Heat Output:</b> 4947BTUs<br>
<b>Voltage:</b> 120,208,240,277,480 or 600V<br>
<b>Reflector Angles:</b> 60°<br>
<b>Color:</b> Aluminum<br>
<b>Lamp Amount:</b> 1 Lamp<br>
<b>Amperes:</b> 2.52 to 12.1A<br>
<b>Product Type:</b> Industrial/Electrical TPI Heaters<br>
<b>Usual Delivery Time or Lead Time:</b> 1 to 2 weeks<br>
</FONT>
```